



## PROVERS BAKERLUX SHOP.Pro™

XEKPT-08HS-B

XAKPT-08FS-B

XEKPT-08HS-C

XAKPT-08FS-C

INSTALLATION, USE AND MAINTENANCE MANUAL

Translation of original instructions

EN

**Read and understand this manual completely before attempting to install, operate, or service this equipment. This manual is intended for use only by qualified installers of electric appliances.**

**RETAIN THIS MANUAL FOR FUTURE REFERENCE**

**⚠ WARNING**

## IMPORTANT FOR YOUR SAFETY

**This manual is intended for use only by qualified installers of electric appliances to install and set up the Unox oven models listed on the cover of this document. It also contains operational instructions for the users of the appliance.**

**Keep this manual in an easily accessible place for future reference. In the event of a power failure, do not attempt to operate this appliance.**

**Keep the appliance area free and clear from combustibles.**

**Do not obstruct the air intake or exhaust openings of the appliance.**

**Keep in a prominent location instructions to be followed in the event the user smells gas. This information shall be obtained by consulting the local gas supplier.**

### SAFETY PRECAUTIONS:

**Do not store or use gasoline or other flammable vapors or liquids in the vicinity of this or any other appliance.**

**⚠ WARNING**

**Improper installation, adjustment, alteration, service or maintenance can cause property damage, injury, or death.**

**Read the installation, operating, and maintenance instructions thoroughly before installing or servicing this equipment.**

The company reserves the right to apply improvement modifications to appliances and accessories at any time without advance notice.

## SAFETY REGULATIONS

IMPORTANT FOR YOUR SAFETY .....	2
SAFETY PRECAUTIONS: .....	4

## INTRODUCTION

PICTOGRAMS.....	8
INTRODUCTION .....	10

## INSTALLATION

UNPACKING THE APPLIANCE .....	14
CHECKING PACK CONTENTS .....	15
GETTING STARTED .....	16
POSITIONING.....	20
ELECTRICAL CONNECTION.....	23
PLUMBING CONNECTIONS .....	25
CONNECTING STACKED APPLIANCES (MAXI.LINK).....	29

## USE

GENERAL APPLIANCE OPERATING INSTRUCTIONS.....	30
USE.....	30

## MAINTENANCE

ROUTINE MAINTENANCE .....	32
INACTIVITY .....	35

AFTER-SALES ASSISTANCE .....	36
WARRANTY .....	37

# BAKERLUX SHOP.Pro™ Provers

## Safety regulations

**⚠ WARNING** Read this and other applicable manuals carefully before using this appliance. Incorrect installation, operation, maintenance, cleaning, or any modifications made to the appliance, may damage property or result in fatal injury.



### SAFETY REGULATIONS FOR INSTALLATION AND MAINTENANCE

- Read this guide carefully before installing or maintaining the appliance, and conserve this guide with care for any future consultation of users.
- All installation, assembly and non-routine maintenance operation must be performed exclusively by qualified technicians that are authorized by UNOX, in compliance with the regulations in force in the user country, with respect to the regulations on systems and work safety.
- Before starting installation or maintenance disconnect the appliance from any electrical or plumbing connections.
- Check that systems are compliant to the installation

country standards and to the specifications indicated on the appliance rating plate before installing the appliance.

- Interventions, alterations or modifications not expressly authorised that do not comply with the indications in this manual shall invalidate the warranty\*.
- Installation or maintenance that fails to respect the indications in this manual may cause damage, injury or fatal accidents.
- Persons not involved with appliance installation may not pass through or occupy the work area during appliance assembly.
- If the equipment is installed on mobile bases or stacked in columns, be sure to use only UNOX components and respect the instructions on their packaging.
- Given its potential danger, the packaging material must be kept out of reach of children and animals, and correctly disposed of in compliance with local regulations.
- The ratings plate provides essential technical information that is of utmost importance for any appliance maintenance or repairs. Do not remove, damage or modify the plate.
- Failure to follow these instructions can cause damage and injury or death, voids the warranty\* and exempts UNOX from any liability.
- The parts protected by the manufacturer or his agent shall not be adjusted by the installer.

## **SAFETY REGULATIONS FOR USE**

- Following procedures other than those indicated in this guide to use and clean the appliances is considered inappropriate and may cause damage, injury or fatal accidents; in addition to invalidating the warranty\* and relieving UNOX of all liability.

\*For further details go to the "Warranty" section of the [www.unox.com](http://www.unox.com) website

- This appliance can be used by children aged from 8 years and above and persons with reduced physical, sensory or mental capabilities or lack of experience and knowledge if they have been given supervision or instruction concerning use of the appliance in a safe way and understand the hazard involved. Children shall not play with the appliance. Cleaning and user maintenance shall not be made by children without supervision.
- This appliance can only be used for cooking food by qualified personnel in industrial and professional kitchens upon completion of scheduled training courses; all other uses are not compliant to the scope of use and therefore hazardous.
- Children must be supervised to ensure they do not play with the appliance.
- This appliance can be used exclusively:
  - by qualified personnel that attend scheduled training courses;
  - in combination with:
    - all **BAKERLUX SHOP.Pro™** ovens;
    - for leavening baked goods.
- Monitor the appliance during its entire operation cycle.
- If the appliance does not function or if there are any functional or structural alterations, disconnect the electricity and water supplies and contact a UNOX authorized customer assistance service. Do not attempt to independently repair the appliance. Request UNOX original spare parts for any repairs necessary.
- It is best to have an authorized customer assistance service perform maintenance and inspection on the appliance at least once a year to ensure top working and safety conditions.
- Maximum tray weight allowed is 11 lbs (5 Kg): heavier loads damage the lateral metal guides and trays.



## **RISK OF BURNS and INJURY!**

- The floor could be slippery around the product.
- While leavening and during cooling of all appliance parts, be careful to:
- Touch only the appliance handle because all external parts are hot.
- If it is necessary to open the door, perform this operation slowly and with utmost caution while careful of extremely hot exhaust steam released from the proofer cavity.
- Wear heat resistant clothing appropriate to the use at hand to move containers, accessories and other objects inside the proofer cavity.
- Be careful when removing the trays from the proofer cavity; be particularly careful for any spills if the trays contain liquids.
- When the trays contain fluids or are filled when leavening, do not use racks that do not allow you to see inside the tray.



## **RISK OF FIRE!**

- Make sure that there are no inappropriate objects in the appliance before use (i.e. instruction booklets, plastic bags, etc...) or cleaner residuals.
- Do not place sources of heat (i.e. grills, fryers, etc.), highly flammable substances or fuels in the vicinity of the appliance (i.e. gasoline, petrol, bottles of alcohol, etc...).

\*For further details go to the "Warranty" section of the [www.unox.com](http://www.unox.com) website

- Always keep the proofer cavity clean by cleaning after each use: grease or food residues could catch fire if not removed!

## RISK OR ELECTRICAL SHOCK

- Do not open the compartments marked with these symbols: access is reserved to qualified personnel authorised by UNOX.
- Failure to observe these regulations may cause damage and (fatal) injuries, and also invalidates the warranty\*.

## PICTOGRAMS

The installation and user instructions are valid for all models unless otherwise specified by the following pictograms:



Danger! Situation presenting immediate danger, or a hazardous situation which could cause injury or death.



Risk of fire!



Tips and useful information



Risk of electric shock!



Earthing symbol



Read the instruction manual



Equipotential symbol



Risk of burns!



Consult other chapter





# BAKERLUX SHOP.Pro™ Provers

## Introduction

Congratulations and thank you for choosing to purchase a **BAKERLUX SHOP.Pro™** provers.

This appliance can be used exclusively:

- by qualified personnel that attend scheduled training courses;
- in combination with UNOX electrical ovens from the **BAKERLUX SHOP.Pro™** line for industrial kitchens (for more information, see “**Table A**” on page 10);
- for the aspiration and condensation of smoke evacuated via the oven flue;
- for smoke aspiration and evacuation that exit the oven when the door is opened.



We recommend you thoroughly read this manual for all instructions on how to maintain the aesthetic and functional qualities of your purchased product.

### SUPPLIED DOCUMENTS

The following documents are provided with the unit:  
 Installation and Operation Manual  
 Overall Dimension Drawing  
 Wiring Diagram  
 Connection Diagram

**Table A**

COOKING TRAYS			OVEN MODEL	PROVER MODEL
TYPE	SIZE [inches]	N°		
Half Size	18”x13”	3	XAFT-03HS-xxDx	XEKPT-08HS-B XEKPT-08HS-C
		3	XAFT-03HS-xxRx	
		3	XAFT-03HS-xxLx	
		4	XAFT-04HS-xxDx	
		4	XAFT-04HS-xxRx	
		4	XAFT-04HS-xxLx	
Full Size	18”x26”	3	XAFT-03FS-xxDx	XAKPT-08FS-B XAKPT-08FS-C
		3	XAFT-03FS-xxRx	
		3	XAFT-03FS-xxLx	
		4	XAFT-04FS-xxDx	
		4	XAFT-04FS-xxRx	
		4	XAFT-04FS-xxLx	

The models equipped with the “GO” panel cannot be connected to the prover (they cannot control it)

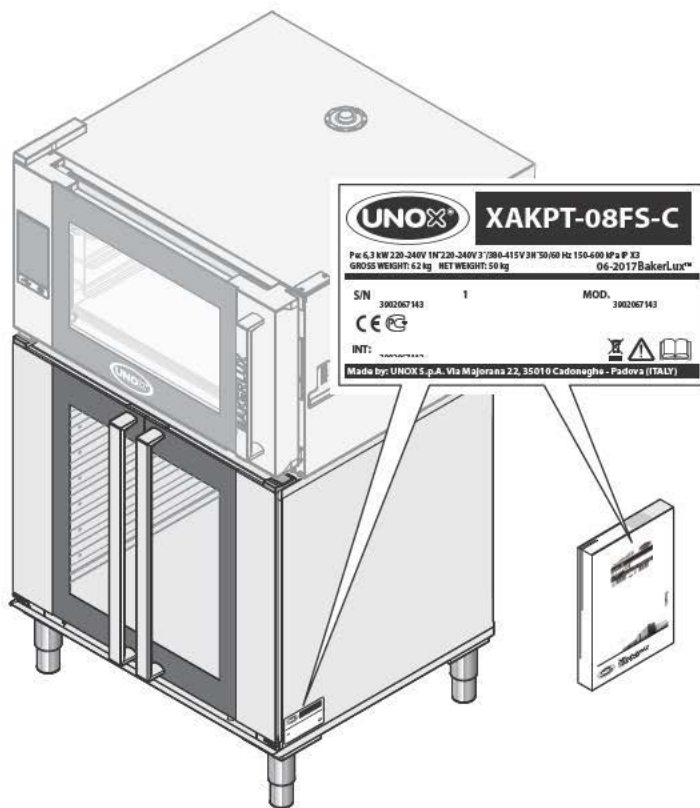
## REGISTRATION

The installation date and appliance model must be documented by the end purchaser. The model number and serial number are located on the serial plate similar to the one shown. Refer to **UNOX Limited Warranty Conditions - US** section on page **37** for additional details on registering the appliance.

Installation date:

Installer:  
(The authorized service agent who installed the UNOX appliance)

Dealer:  
(The company where the UNOX appliance was purchased)



# BAKERLUX SHOP.Pro™ Provers

## Pre-installation

### INSTALLATION CODES AND STANDARDS

Installations within the United States, must follow:

- 1.State and local codes.
- 2.National Electrical Code (ANSI/NFPA No.70, latest edition) available from the National Fire Protection Association, Batterymarch Park, Quincy, MA 02269.
- 3.Vapor Removal from Cooking Equipment, (NFPA-96, latest edition) available from NFPA.

Installations within Canada, must follow:

- 1. Local codes.
- 2.Canadian Electrical Code (CSA C22.2 No.3, latest edition) available from the Canadian Standards Association, 5060 Spectrum Way, Mississauga, Ontario, Canada L4W 5N6.

### DELIVERY AND INSPECTION

UNOX strives to ensure the appliance is received in good working condition. To prevent shipping damage, the appliance is shipped from the factory and must only be transported using pallets supplied by UNOX. Each unit has been carefully inspected before it was packaged and consigned to a shipper/installer.

Upon delivery:

Inspect the shipping container, carefully noting any exterior damage on the delivery receipt, which must also be signed by the driver or delivery person.

- Unpack and check for any damage, which was not evident on the outside of the shipping container.
- Check for concealed damage. The carrier must be notified immediately of damage not readily visible upon the delivery of the unit. The crate and all packaging materials must be retained for inspection.

UNOX does not assume liability for loss or damage of the appliance during shipping and/or delivery. The carrier assumes full responsibility for delivery in good condition when the shipment was accepted. If the product was lost or damaged in shipment UNOX will provide assistance in filing a claim with the carrier.

## HANDLING

The appliance is very heavy and may require the use of moving equipment.

**⚠ WARNING** Injury risk! Do not lift or move the appliance without adequate help. Heavy lifting, over 51 pounds (23 kg), may result in personal injury. Make sure the appliance is not in danger of tipping over during transportation.

## SPECIFICATIONS

Before positioning the appliance, check the measurements and the exact position of the electrical, plumbing, and exhaust connections. Check for proper clearance with shut off valves and drain line hook ups.

The installation site must be able to withstand the maximum weight of the fully loaded appliance. Make sure the unit fits through all doors, corridors, passageways, or other openings required to reach the installation site.



## UNPACKING OF THE APPLIANCE

Check the package for any visible damage. If damage is found, contact UNOX immediately and DO NOT install the appliance.

Before transporting the appliance to its installation point, make sure that:

- it easily passes through doorways;
- the floor supports its weight.

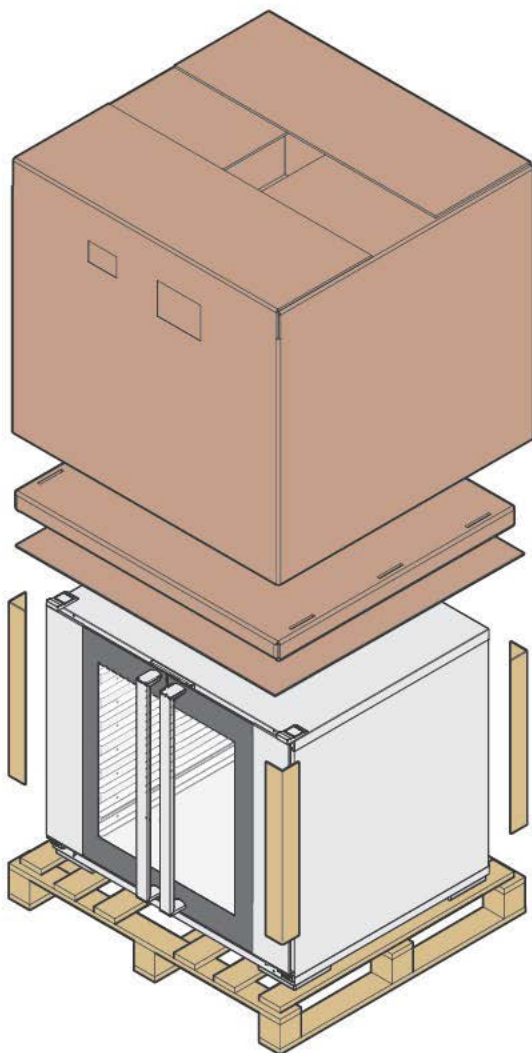
Transport must be exclusively performed by mechanical means (e.g. using pallet jacks).

**⚠ WARNING** The packaging material is potentially dangerous. It must be kept out of the reach of children and animals, and correctly disposed of in compliance with local regulations.

**NON-STOP Efforts**  UNOX has followed the **NON-STOP**

**Efforts** philosophy for years, to increase the environmental compatibility of its products and reduce energy consumption and waste.

UNOX wishes to protect the environment and invites the consumer to dispose of waste in the relevant recycling bins.

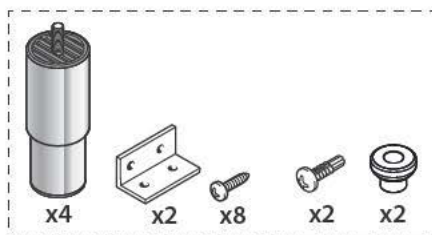
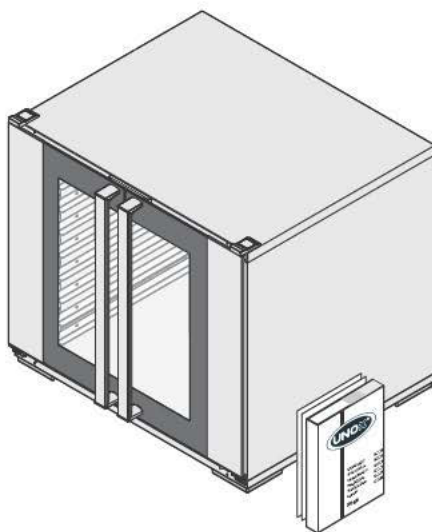


**⚠️ WARNING** Fire risk! any work on the hood, must be performed by certified technicians in compliance with local, state, and federal regulations.

#### CHECKING PACKAGE CONTENTS

Before installing the appliance, check that the following components are in the package and undamaged.

Contact UNOX if any pieces are missing.



EN

# BAKERLUX SHOP.Pro™ Hoods Installation

**⚠ WARNING** Before installing the appliance, carefully read the section “**Safety regulations**” on page 4.

## 1 GETTING STARTED

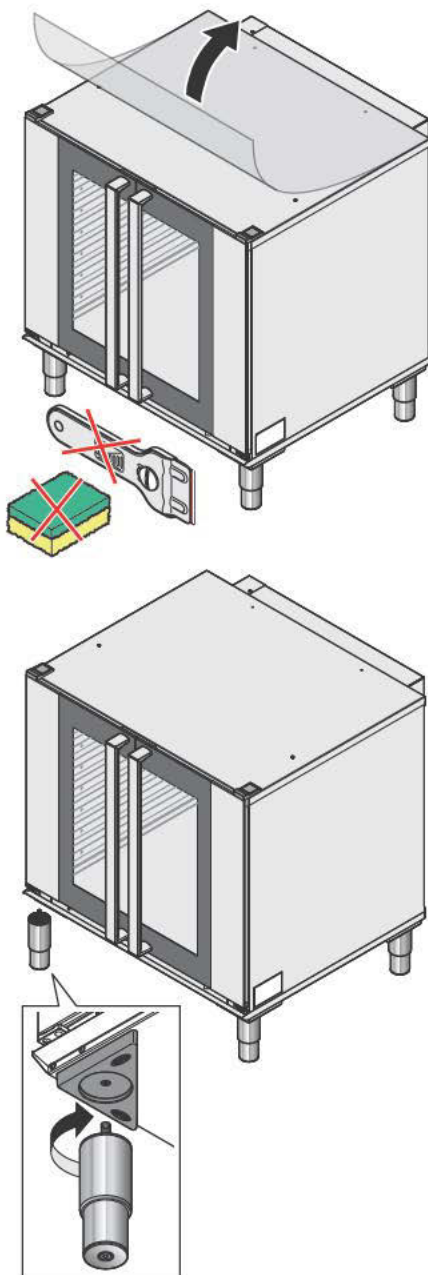
### REMOVING THE PROTECTIVE FILM

Slowly remove the protective films from the appliance. Clean any glue residue with appropriate solvents without using tools, abrasive detergents or acids that could spoil the surfaces.

**!** The film is potentially dangerous and must be kept out of the reach of children and animals, and correctly disposed of in compliance with local regulations.

### INSTALLING THE FEET

Insert the feet as shown in the figure.





## 2

## POSITIONING

## CHARACTERISTICS OF THE INSTALLATION AREA

Install the appliance in areas:

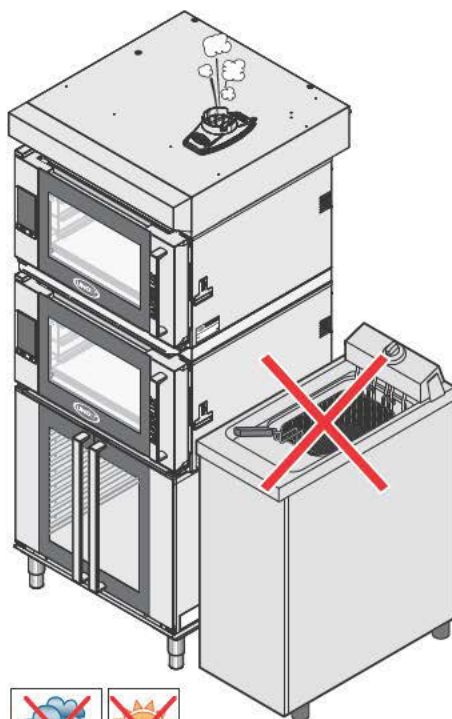
- dedicated and conforming to the cooking of industrial foods;
- having adequate air ventilation;
- that comply with the laws in your country;
- protected from the weather;
- with temperatures between 41 °F to 104 °F maximum (5 °C to 35 °C);
- having a maximum humidity of 70%.


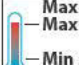
The floor beneath the appliances must:

- be flame and heat resistant;
- be perfectly level;
- have a flat and even surface;
- are able to support the appliance weight at full load without undergoing deformation or structural failure.

**!** Do not install the appliance near other appliances that reach high temperatures in order to avoid damaging electrical parts.

The appliance is not suitable for recessed installation.



	Max 35°C — Max 104°F
	Min 5°C Min 41°C
Max 70%	

## CONNECTION

The installation areas must be equipped with electrical and plumbing systems that comply with the regulations on system and work safety of the country of use.

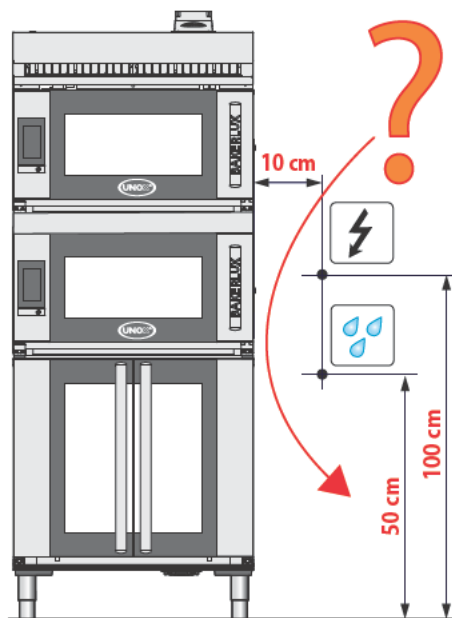
The figure gives indicative connection measurements:



electrical connection



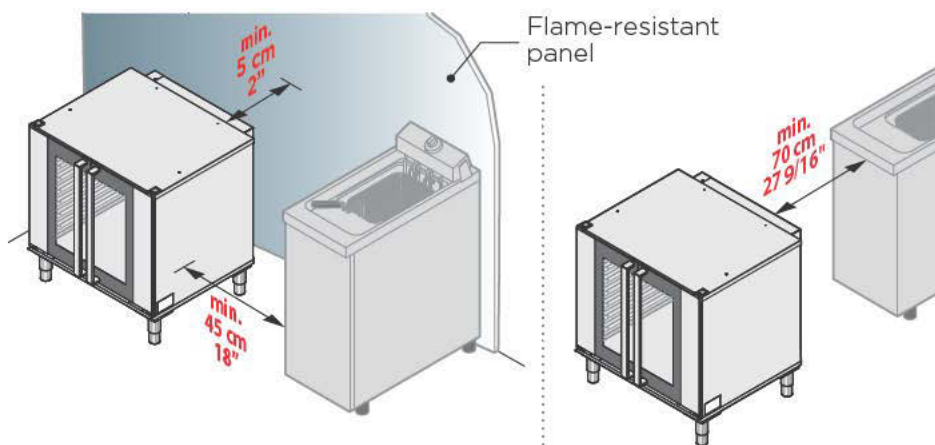
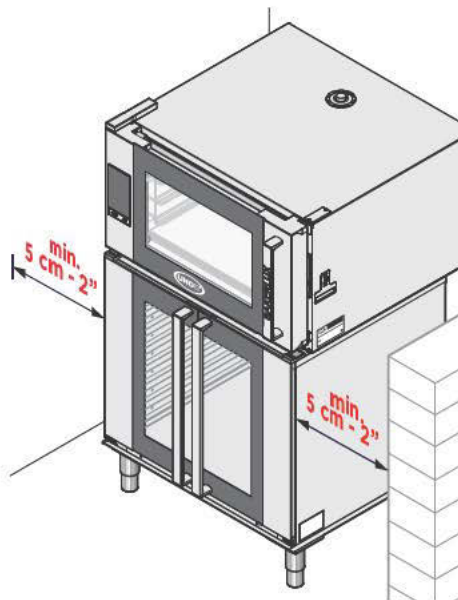
plumbing connection



## INSTALLATION MEASUREMENTS

Position the appliance respecting the indicated distances in the diagram and so that the back of the oven is easily accessible for appliance connections and maintenance.


**!** Do not install the appliance near flammable or heat sensitive materials, walls or furniture. Otherwise, protect them with appropriate non-flammable materials in compliance with fire prevention regulations - see diagram below.

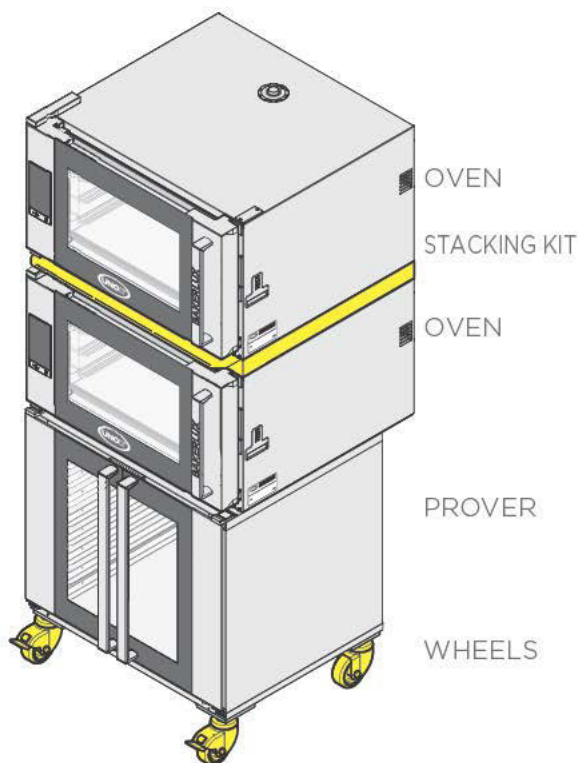


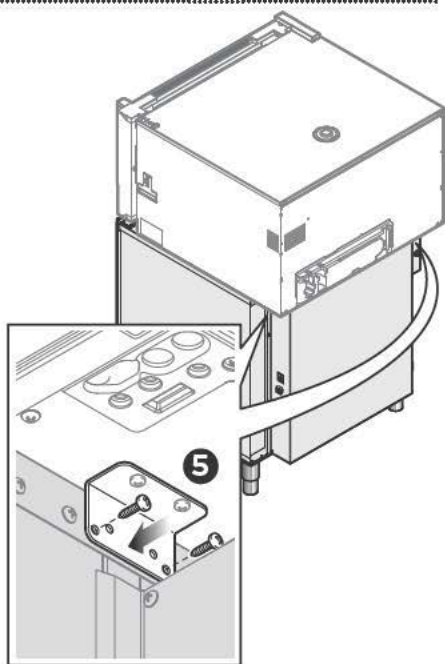
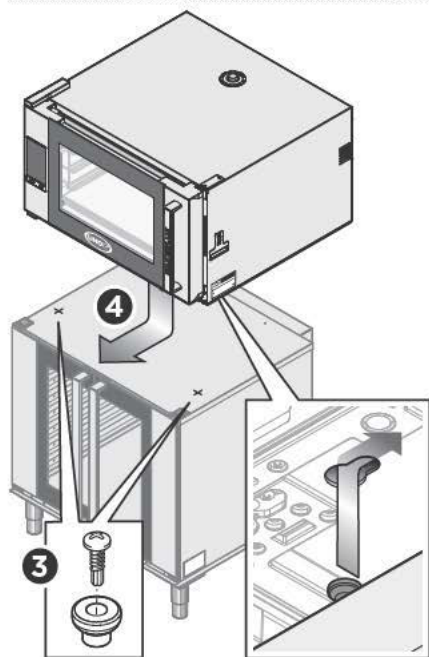
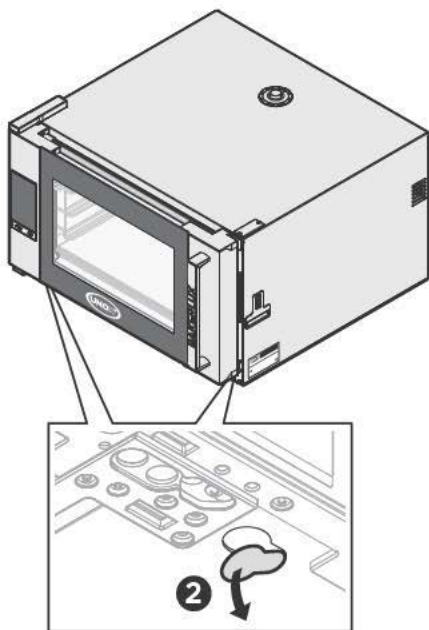
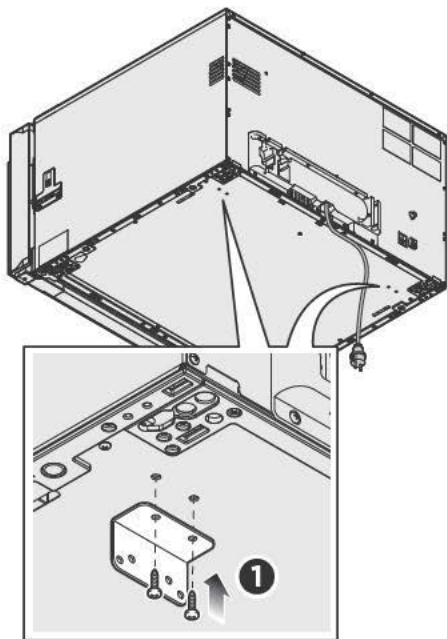
### 3 POSITIONING

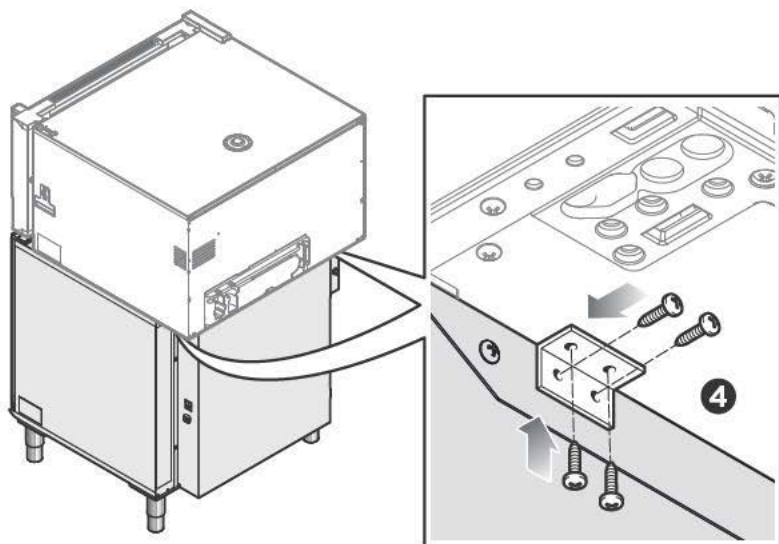
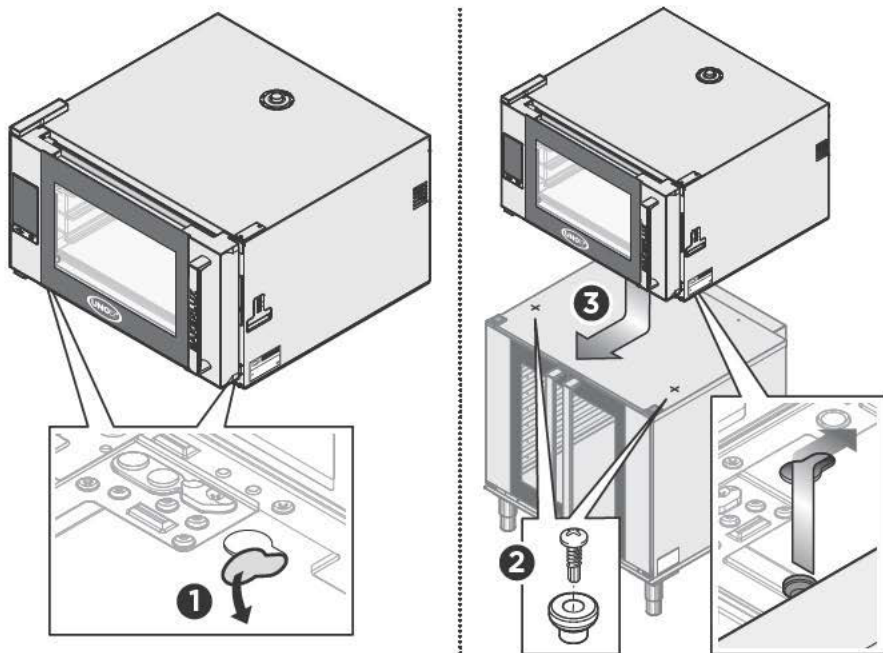
The appliances must be positioned on the ground only, under ovens from the **BAKERLUX SHOP.Pro™** line, and fixed to them following the steps shown in the figure.

Should you need to move the cooking column, use the UNOX wheel kit only.

 Follow the instructions contained in the package to assemble the mobile kit.







## 4 ELECTRICAL CONNECTION

**⚠ WARNING** Before connecting the appliance, carefully read the section **“Safety regulations”** on page 4.

**⚠ DANGER** Wire Color Coding: Electric shock risk! observe the color coding of the wires. incorrect connection can lead to personal injury or even electrocution.

**⚠** Incorrect connection of the electrical wires may damage the appliance.

○ grey or white = neutral wire

● black, red, blue = phase L1, L2, L3

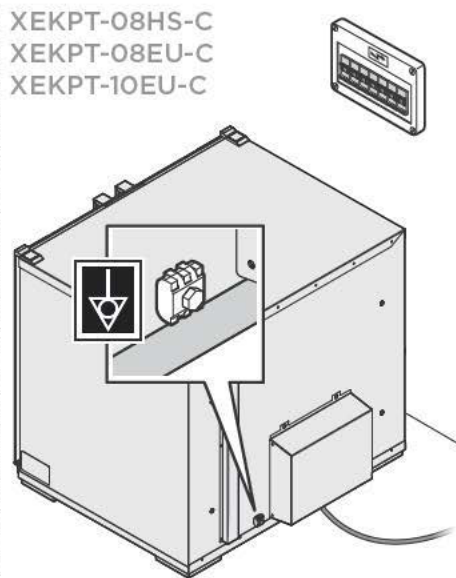
**⚠** Connections to the main power



XEKPT-08HS-B  
 XEKPT-08EU-B  
 XEKPT-10EU-B




XEKPT-08HS-C  
 XEKPT-08EU-C  
 XEKPT-10EU-C




\*For more information, go to [www.unox.com](http://www.unox.com) and visit the “Warranty” section

and the electrical system must comply with the regulations in force in the country of installation of the appliance; and all connections must be performed by qualified personnel authorised by UNOX. Failure to comply with these regulations may cause damage and injuries, invalidates the warranty\* and relieves UNOX of all liabilities.


Before connecting the appliance to the mains electricity, always compare the power supply data with that of the appliance specified on the rating plate. The appliance is released from the factory with power cable and plug already connected to the terminal. Do not make any other type of electrical connection and no dimensional modification of the cable other than extensions, replacing it only with one having specifications equal to the original factory cable (type of rummer, cross-section, etc.).


 The cable must be replaced by UNOX or by its technical assistance service, and in all cases by a person with similar qualification in order to avoid possible risks.

 The wiring diagrams, wire specifications and the technical data are indicated on the “Technical specifications” sheet attached to the appliance.

For proper electrical connections, the appliance must:


Be wired into an equipotential system in accordance with current regulations. This connection must be performed between different appliances with the terminal marked

with the equipotential symbol . The cable must have a maximum cross-section of 10 mm<sup>2</sup> (pursuant standard CEI EN 60335-2-42:2003-09) and be of yellow-green colour.

- Must be grounded  to the earthing (green-yellow wire).
- Must be connected to a thermal differential switch in compliance with the regulations in force (0.03A Type A).
- Must be connected to a omni polar circuit breaker mechanism that enables complete disconnection in category III over voltage conditions.

## CHECKS

- The copper jumper in the terminal board and the electrical cable must be secured together under the screw in its tightening direction; and the electrical connections must be securely tightened before connecting the appliance to the electricity mains.
- Check for any electrical dispersion between the phases and the ground, and for electrical continuity between the external casing and the main ground line.
- Check that the power supply voltage does not deviate from the nominal voltage value specified on the appliance rating plate when the appliance is operating. If this is not the case, wire the phases as specified on the “technical specifications” sheet attached.

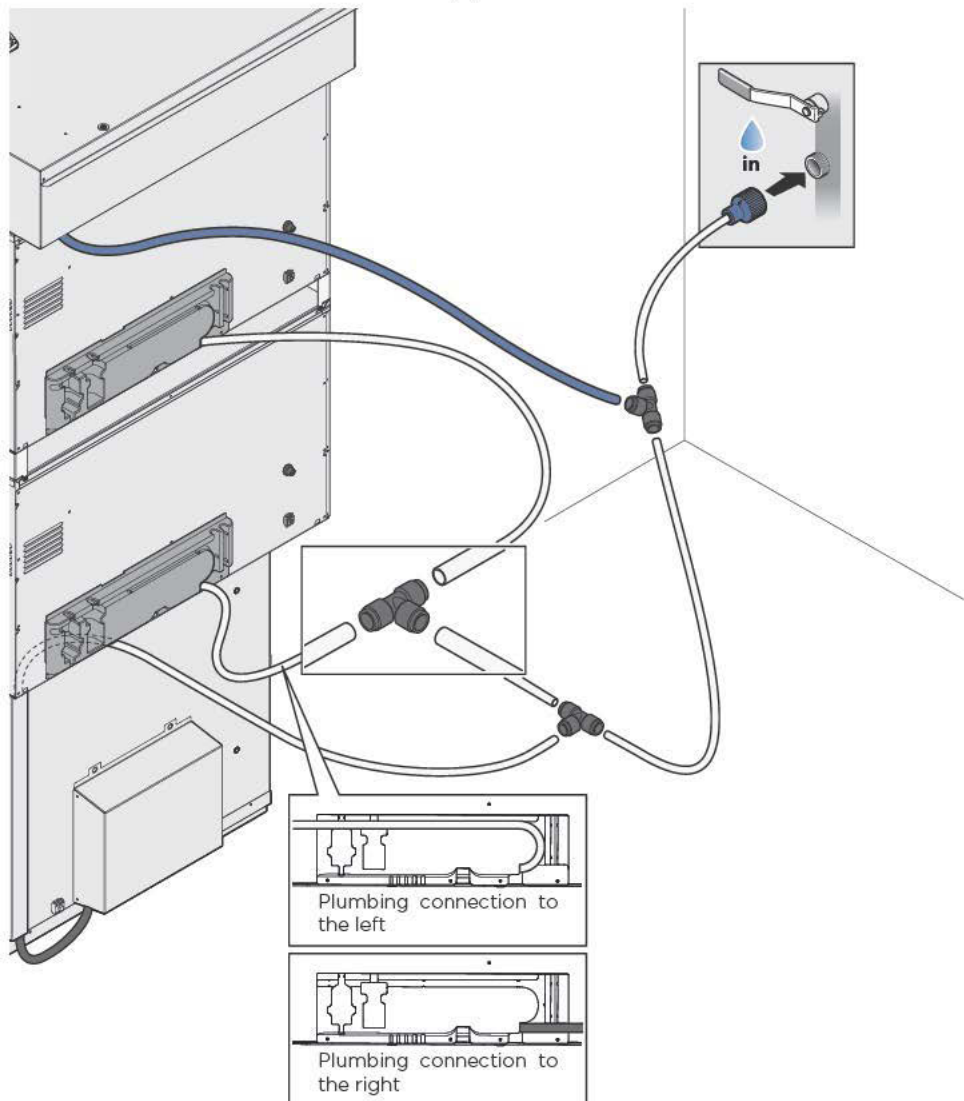
** WARNING** Electrical Grounding Instructions: appliance is equipped with a three-prong (grounding) plug for your protection against shock hazard and should be plugged directly into a properly grounded three-prong receptacle. Do not cut or remove the grounding prong from this plug.



5

## PLUMBING CONNECTION


! Use the set of new connections supplied with the appliance for the connection to the water mains. Connections that have already been used must not be used again. Before connecting the water pipe to the appliance, flush it out with water in order to eliminate any residue which may have accumulated inside. A shut-off valve should be positioned between the water mains and the appliance.




## INCOMING WATER


The bottom of the appliance contains two meters of pipe with a tee for connecting to the oven water supply (including mechanical filter and fitting (3/4") with non-return valve).

A shut-off valve should be positioned between the water mains and the appliance.

 Use the set of new connections supplied with the appliance for the connection to the water mains. Connections that have already been used must not be used again.


 **WARNING** The equipment must be installed with adequate backflow protection to comply with applicable federal, state and local codes.

## INLET WATER CHARACTERISTICS

 Any damage caused by using water with parameters that do not correspond to what is specified in this section is not covered by the warranty.


The water supply must:

- have a maximum temperature of 86 °F (30 °C);
- be drinkable;
- be pressured at between 22 and 87 psi (150-600 kPa).

 If water pressure at the inlet is less than the minimum specified value (22 psi - 1.50 bar) a pump (minimum water flow rate 1.32 gpm (300 l/h)) is required. The ovens have a built-in pressure reducer.

If water conductivity is greater than 150 µS/cm a water treatment for steam production is required.

Damage caused by limescale or other chemical agents is not covered by the warranty.

 **WARNING CHLORAMINE: The water supplied to the oven must be free from chloramine or with levels not exceeding 0,1 ppm (mg/L). Notice: any damage caused by chloramine within the water is not covered by this warranty.**

\*For further details go to the "Warranty" section of the [www.unox.com](http://www.unox.com) website

## WATER SPECIFICATIONS FOR THE STEAM CIRCUIT (STEAM INSIDE THE OVEN CAVITY)

Free chlorine  $\leq 0.1$  ppm, Chloramines  $\leq 0.1$  ppm (mg/L)

TDS  $\leq 125$  ppm, Silica  $\leq 12$  ppm, pH 7 to 8.5, Total hardness (TH)  $\leq 8$  °d

Chlorides  $\leq 25$  ppm, Alkalinity  $\leq 150$  ppm as  $\text{CaCO}_3$

The maximum chloride content,  $\text{Cl}^-$ , is not a fixed value; it depends on the calculated Non Hardness Measurement (NHM)

$$\text{NHM} = \text{EC} - (\text{TH}^{**} \times 30)$$

EC = electrical conductivity [ $\mu\text{S}/\text{cm}$ ]

TH = total hardness\*\* [ $^{\circ}\text{dH}$  - German degrees]

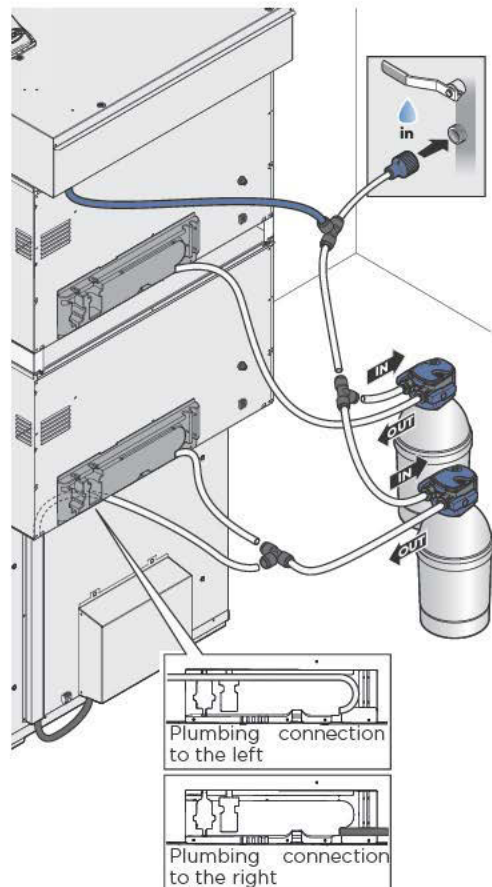
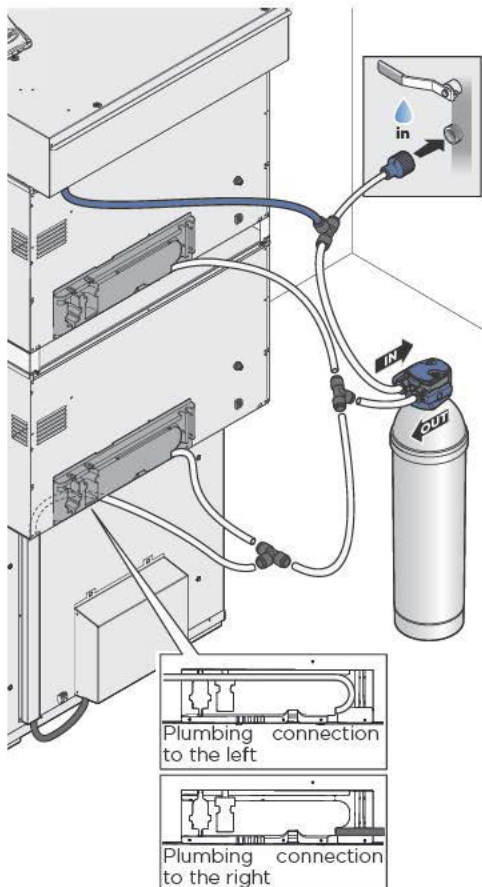
NHM $\leq 250$ $\mu\text{S}/\text{cm}$	TH $< 8$ °dH, $\text{Cl}^- \leq 25$ ppm (5 drops of reagent*)	No water treatment
	TH $\geq 8$ °dH, $\text{Cl}^- \leq 25$ ppm (5 drops of reagent*)	UNOX.Finest
	$\text{Cl}^- > 25$ ppm (5 drops of reagent*)	Reverse Osmosi System
NHM = 250 - 350 $\mu\text{S}/\text{cm}$	$\text{Cl}^- \leq 20$ ppm (4 drops of reagent*)	UNOX.Finest
	$\text{Cl}^- > 20$ ppm (4 drops of reagent*)	Reverse Osmosi System
NHM = 350 - 450 $\mu\text{S}/\text{cm}$	$\text{Cl}^- \leq 15$ ppm (3 drops of reagent*)	UNOX.Finest
	$\text{Cl}^- > 15$ ppm (3 drops of reagent*)	Reverse Osmosi System
NHM = 450 - 500 $\mu\text{S}/\text{cm}$	$\text{Cl}^- \leq 10$ ppm (2 drops of reagent*)	UNOX.Finest
	$\text{Cl}^- > 10$ ppm (2 drops of reagent*)	Reverse Osmosi System
NHM $\geq 500$ $\mu\text{S}/\text{cm}$		Reverse Osmosi System

\* use the reagent in the UNOX KSTR1081A kit

\*\* hardness measured using the UNOX KSTR1082A kit

Should the water values for moisture generation differ from those shown, use a filter (**UNOX.Finest**).

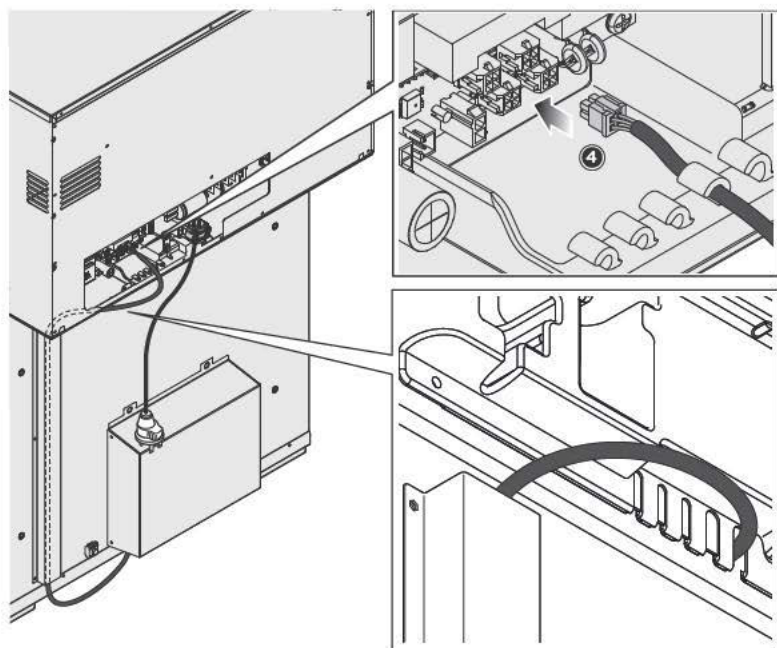
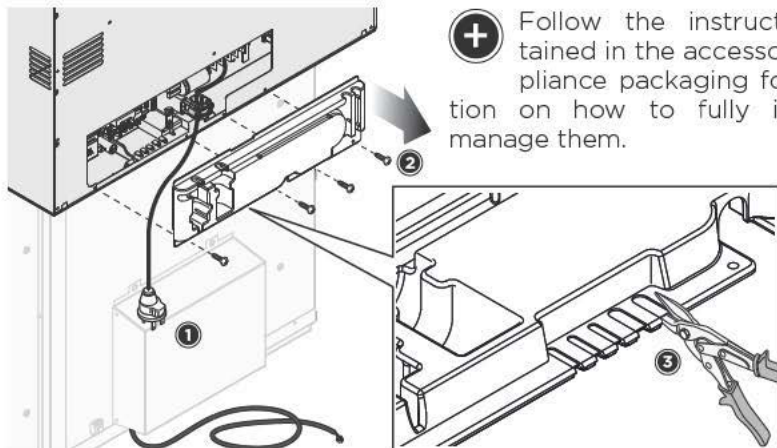
- 1 cold water supply, thermally controlled by a temperature sensor (IN)



6

**CONNECTING STACKED APPLIANCES (MAXI.Link)**

! All ovens of the **BAKERLUX SHOP.Pro™** line are designed to be connected to accessories (prover, hood, etc.). The accessories connect to the oven using connectors on the back of the oven, which automatically connect.



# BAKERLUX SHOP.Pro™ Provers

## Use

**⚠ WARNING** Before use the appliance, carefully read the section “**Safety regulations**” on page 4.



Before using the appliance make sure that you have a system conformity and use permit certificate that is issued by a UNOX authorised installer.

### GENERAL APPLIANCE OPERATING INSTRUCTIONS

when using the appliance for the first time be sure to thoroughly clean the inside of the prover cavity and the accessories (see chapter “**Maintenance**” on page 32); let the oven run empty at maximum temperature for 1 hour to eliminate any unpleasant odours caused by protective factory grease.



Use the appliance where the room temperature is between 41 °F to 104 °F maximum (5 °C to 35 °C).

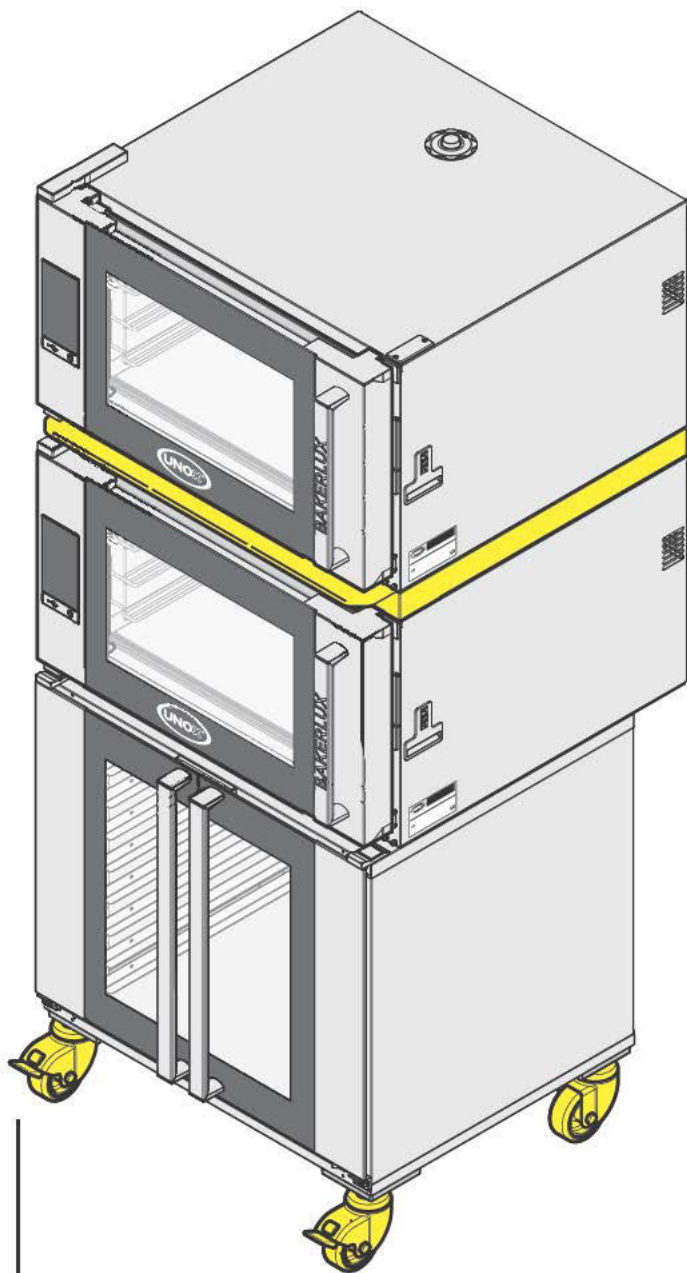
Do not salt food inside the prover cavity. If this is not possible, clean the appliance as soon as possible (see chapter “**Maintenance**” on page 32).

- Maximum tray weight allowed is 5 Kg - 11 lbs: heavier loads damage the lateral metal guides and trays.
- To prevent boiling, do not fill containers with liquids or foods that liquefy with heat in quantities exceeding those that can easily be kept under control.

### USE

Your **BAKERLUX SHOP.Pro™** appliance does not have its own control panel, but it can be controlled by an oven from the same line, connected to it.

For information on using the prover, please see your oven use and maintenance manual.



Example of BAKERLUX SHOP.Pro™  
cooking column

# BAKERLUX SHOP.Pro™ Provers

## Maintenance

**⚠ WARNING** Before any routine maintenance procedure, carefully read the section “[Safety regulations](#)” on page 4.



**Any routine maintenance procedure must be performed:**

- after disconnecting the appliance from the power and water supplies
- after having put on the proper personal protective equipment (gloves, etc.).

Clean the appliances on a daily basis in order to maintain a good level of hygiene and to avoid corrosion or deterioration of the stainless steel.

When cleaning any component or accessory NEVER use:

- abrasive or powder detergents;
- aggressive or corrosive detergents (e.g. hydrochloric/muriatic or sulphuric acid). Caution! Never use these substances when cleaning the appliance substructure and floors either;
- abrasive or sharp tools (abrasive sponges, scrapers, steel bristled brushes, etc.);
- water jets.

\*For further details go to the “Warranty” section of the [www.unox.com](http://www.unox.com) website



## EXTERNAL STEEL STRUCTURES, PROVER CAVITY SEAL

### **Wait for the surfaces to cool off.**

Use a soft cleaning cloth dampened with a little soap and water only. Rinse and dry completely. Alternatively, only use detergents recommended by UNOX; other products may cause damage, thereby invalidating the warranty.

Read the usage instructions provided by the detergent producer.

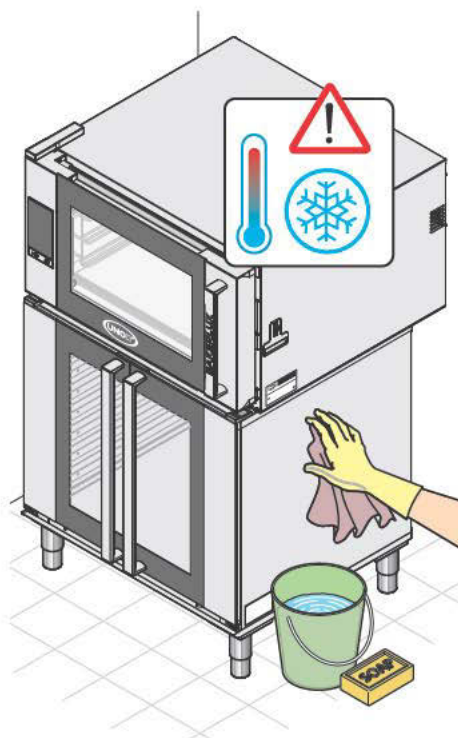
## PLASTIC SURFACES AND CONTROL PANELS

Use only a very soft cleaning cloth and a small amount of detergent for cleaning delicate surfaces.

## DOOR GLASS

### **Wait for the glass to cool off.**

Use only a soft cleaning cloth dampened with a little soapy water or detergent specifically designed for glass. Rinse and dry completely.



## PROVER CAVITY

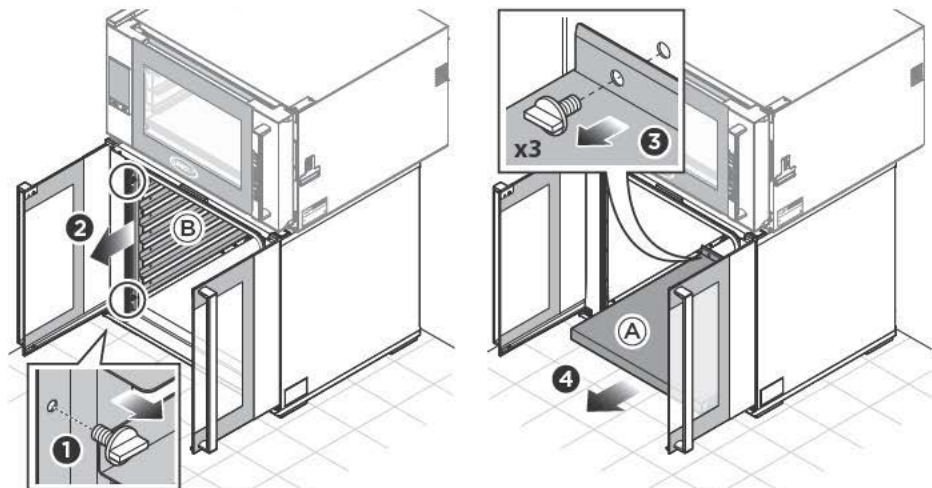
Follow the procedure below to clean the prover cavity:

- switch on the prover and set the temperature to 104°F (40°C); if using the **Dynamic** electronic models, also set the steam level (**STEAM.Maxi™**) to 100%;
- run the prover for 10 minutes;
- wait for the surfaces to cool off and clean with a soft cleaning cloth and non-aggressive cleaner;
- rinse completely to remove all residues.

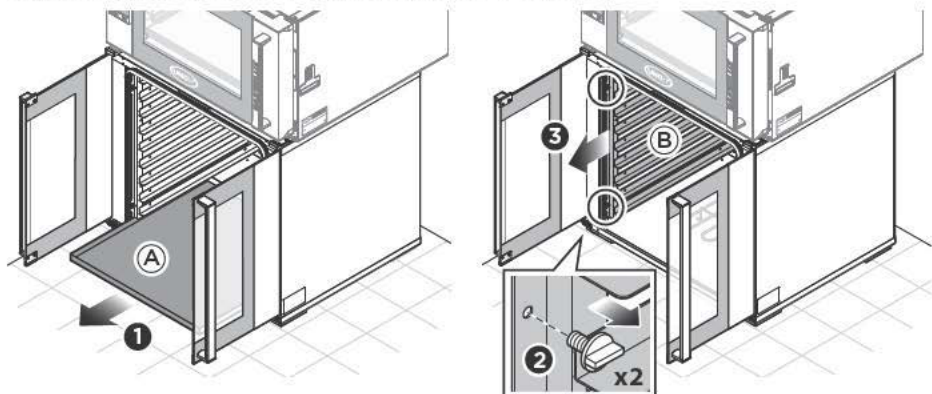
To make cleaning easier, remove the side grill holders (B) as shown in the figure. Clean the grill holders with soapy water or specific cleaners, do not wash in the dishwasher.

**!** When replacing the part, (A) make sure that it fits close against the back wall of the oven chamber.

XEKPT-08HS-B / XEKPT-08EU-B / XEKPT-10EU-B



XEKPT-08HS-C / XEKPT-08EU-C / XEKPT-10EU-C



## INACTIVITY

During periods of inactivity, take the following precautions:

- disconnect the appliance from the power and water supplies;
- rub a soft cloth lightly doused with mineral oil on all stainless steel surfaces;

Before reusing the appliance:

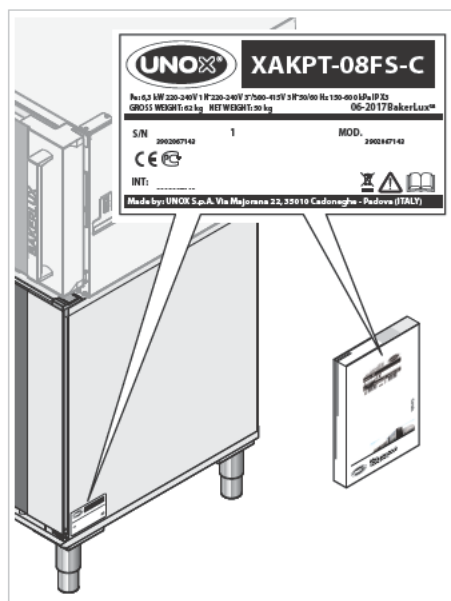
- clean the appliance and its accessories thoroughly (see chapter “**Maintenance**” on page **32**);
- connect the appliance to the power and water supplies;
- inspect the appliance;



**To ensure that the appliance is in perfect condition in terms of use and safety, maintenance and inspections should be performed yearly by an authorised support service centre.**

## AFTER-SALES ASSISTANCE

In case of any malfunctions, disconnect the appliance from its power and water supply. Consult the solutions proposed in the table.



If the solution is not listed in the table, contact a technical service centre authorised by UNOX. Provide the following information:

- the date of purchase;
- the appliance data on the serial plate;
- any alarm messages that are shown on the display of the oven connected to the prover.

### Manufacturer's information:

UNOX S.p.A.  
Via Majorana, 22  
35010 Cadoneghe (PD) Italy  
Tel +39 049 86.57.511  
Fax +39 049 86.57.555  
info@unox.com www.unox.com

Malfunction	Possible cause	Solution
The prover fails to heat when a leavening cycle is activated.	The prover is not connected to the power supply.	Connect to the power supply.
	The P.C.B. is damaged.	Contact the Customer Assistance Service
	The prover resistor is damaged.	
	The prover temperature sensor is damaged.	
	The prover was not connected to the oven vis RJ45 cable during installation.	
The RJ45 cable that connects the oven to the prover is disconnected or damaged.		
When the prover starts a leavening cycle, it does not produce humidity	The prover is not connected to the water supply.	Connect the prover to the water supply.
	The water intake solenoid is damaged.	Contact the Customer Assistance Service
	The P.C.B. is damaged.	
	The prover humidity probe is damaged.	

## UNOX LIMITED WARRANTY CONDITIONS - US

End users (“**End Users**”) who have purchased an appliance (the “**Product**”) from an authorized dealer of Unox, Inc., a Delaware corporation (“**UNOX**”) may be entitled to a limited manufacturer’s warranty (the “**Limited Warranty**”). In order to benefit from such a warranty, End User should register on UNOX’s website ([www.unox.com](http://www.unox.com)).

### 1. Warranty Term

- a) The warranty period for the Limited Warranty (the “**Warranty Term**”) is, with respect to labor, 12 months, and with respect to the Product or parts thereof (such parts being hereinafter referred to as “**Spare Parts**”), 24 months, in each case from the earlier of (i) the date of End User’s dealer invoice and (ii) the date of installation of the Product at the End User’s location (the “**Warranty Start Date**”); provided, however, that upon failure from End User to provide UNOX, upon request, with supporting evidence reasonably satisfactory to UNOX of such End User’s dealer invoice or installation date, as shall be determined by UNOX in its sole discretion, then the Warranty Start Date may, at UNOX’s sole discretion, be the date of UNOX’s invoice to its own dealer.
- b) For ChefTop MindMaps™ ovens only, and only if End User has purchased or otherwise has been provided with a LONG.LIFE4 extended warranty (the “**Extended Warranty**”), then the Warranty Term is, with respect to labor, 12 months from the Warranty Start Date, and with respect to the Product and/or Spare Parts, the earlier of (i) 48 months from the Warranty Start Date, and (ii) ten thousand (10,000) hours of working and/or stand-by time of such Product, as determined by the Product’s internal clock. The foregoing Extended Warranty is available to End User if and only if the applicable Product is connected to the internet via Ethernet cable, WIFI or 3G/4G and remains accessible for remote login and maintenance by the UNOX service team at all times.

**2.** If End User decides not to buy the Extended Warranty, in order for the Limited Warranty to apply, End User will need to furnish UNOX a copy of End User’s dealer invoice and sufficient proof (as determined by UNOX in its sole discretion) of the installation date and the type of Product in the form of a written confirmation or an invoice for installation issued by a Service Agent.

### 3.

- a) For Products subject to the Limited Warranty, during the applicable Warranty Term, and if and only if such Product is unaltered and unmodified by End User or any third party and is properly used as set forth in UNOX’s specifications and instructions of use, End User’s sole remedy under the Limited Warranty shall be (x) for a period of twelve (12) months after the Warranty Start Date, at UNOX’s sole cost and expense and in UNOX’s sole discretion, (i) repair, or (ii) return and replacement (including, in each of the foregoing cases (i) and (ii), any cost of UNOX’s or its designee’s work associated therewith), of the Product (including any Spare Parts), and (y) for a period of twelve (12) months after the initial twelve (12) months following the Warranty Start Date, at UNOX’s sole cost and expense, replacement of the Products and/or Spare Parts, excluding any work associated therewith.
- b) For Products subject to the Extended Warranty, during the applicable Warranty Term, and if and only if such Product is unaltered and unmodified by End User or any third party and is properly used as set forth in UNOX’s specifications



and instructions of use, End User's sole remedy under the Extended Warranty shall be (x) for a period of twelve (12) months after the Warranty Start Date, at UNOX's sole cost and expense and in UNOX's sole discretion, (i) repair, or (ii) return and replacement (including, in each of the foregoing cases (i) and (ii), any cost of UNOX's or its designee's work associated therewith), of the Product (including any Spare Parts), and (y) for a period which shall be the shorter of (A) thirty-six (36) months after the initial twelve (12) months following the Warranty Start Date, and (B) ten thousand (10,000) hours of working and/or stand-by time of such Product has been reached, if earlier, as determined by the Product's internal clock, at UNOX's sole cost and expense, replacement of the Product and/or Spare Parts only, excluding any work associated therewith.

The warranty services set forth above shall be referred to herein as "**Warranty Services**", as applicable. Except as provided above, the Products are provided "as is".

**4.** The performance of **Warranty Services** shall in no event trigger an extension of a Warranty Term, nor shall it trigger a new Warranty Term.

**5.** Replaced parts shall pass into the ownership of UNOX.

**6.** UNOX does not assume any transport costs or risks.

**7.** In order to be eligible for the Warranty Services during the applicable Warranty Term, End User must notify UNOX in writing of any damage or defects within 14 days after such damage or defects were or should have been discovered by sending a notification to the UNOX service support, as provided on the UNOX website, [www.unox.com](http://www.unox.com).

**8.** Please be aware that neither the Limited Warranty nor the Extended Warranty shall apply in any of the following instances, without limitation, as determined in UNOX's sole discretion:

- Damage resulting from defective installation or unprofessional or improper attempts at repair, work performed by un-authorized third parties, improper use, injudicious operation or any and all other actions not in compliance with the instruction manual for the Product;
- Non-compliance, by End User or any third party, with the UNOX installation check list, the installation manual, or the prescribed maintenance and inspection cycles;
- If cleaning agents or preservative agents other than those expressly approved by UNOX have been used;
- Defects or damage in connection with unauthorized uses of the Product, such as the use of soiled, aggressive water, sub-standard gas or electricity with unsuitable voltage or current;
- Damage caused by surges;
- Normal wear and tear to items such as lamps, gaskets, seals, probes, door handles, ancillary and consumable parts etc., as well as damage to glassware and other ancillary parts
- The use of water not meeting requirements set forth by UNOX in the installation manual and spec sheet (for the avoidance of doubt, in addition, but without limitation, to the foregoing, it is the sole responsibility of the End User to verify that the incoming water supply is comprehensively tested and, if required,

to provide a means of water treatment that would meet the minimum water quality standards required by UNOX, as outlined on the Product specification sheet. Non-compliance with these minimum standards will potentially damage Products and/or Spare Parts, which, at UNOX's sole discretion, may nullify and void the original Limited Warranty or Extended Warranty, as applicable);

- Damage or malfunctions caused by the build-up of limescale or rust in the Product;
- Wear and tear of the Product; or
- Cases in which replacement or parts other than original UNOX parts are used, regardless of whether the damage or defects result therefrom.

**14.** The Limited Warranty and the Extended Warranty may only be asserted for Products located in the United States of America.

**15.** An obligation to render Warranty Services shall only exist if the Product is in compliance with the applicable technical requirements in the country in which the Product is operated.

**16. NO OTHER WARRANTIES.** EXCEPT AS SET FORTH IN THE INTRODUCTION HERETO, THE PRODUCTS ARE PROVIDED "AS IS", AND THE LIMITED WARRANTY AND EXTENDED WARRANTY ARE GIVEN IN LIEU OF ALL OTHER WARRANTIES AND GUARANTIES, EITHER EXPRESS OR IMPLIED, INCLUDING, WITHOUT LIMITATION, THE WARRANTY OF MERCHANTABILITY OR FITNESS FOR A PARTICULAR USE (EVEN IF INFORMED OF SUCH USE), OR ARISING FROM A COURSE OF DEALING, USAGE, OR TRADE PRACTICE, WHICH ARE HEREBY EXCLUDED TO THE FULLEST EXTENT ALLOWED BY APPLICABLE LAW. NO WARRANTY HAS BEEN MADE THAT THE PRODUCTS WILL MEET END USER'S OR ITS CUSTOMER'S REQUIREMENTS, OR THAT THE OPERATION OF THE PRODUCTS WILL BE UNINTERRUPTED OR ERROR-FREE.

PLEASE CONTACT UNOX AT [infousa@unox.com](mailto:infousa@unox.com) IF YOU HAVE ANY QUESTIONS.





**UNOX INC.**  
105 TERRY DRIVE, SUITE 119  
NEWTOWN, PENNSYLVANIA 18940  
1-800-489-UNOX  
Infousa@unox.com

**INTERNATIONAL**

**UNOX S.p.A.**  
Via Majorana 22 / 35010 Cadoneghe (PD) Italy  
Tel +39 049 8657511 / Fax +39 049 8657555  
Info@unox.com



INVENTIVE SIMPLIFICATION

**EUROPE**

**ITALIA**  
UNOX S.p.A.  
E-mail: info@unox.it  
Tel.: +39 049 86 57 511

**ČESKÁ REPUBLIKA**  
UNOX DISTRIBUTION s.r.o.  
E-mail: info.cz@unox.com  
Tel.: +420 241 940 000

**РОССИЯ, ПРИБАЛТИКА И СТРАНЫ СНГ**  
UNOX РОССИЯ  
E-mail: info.ru@unox.com  
Tel.: +7 (499) 702-00-14

**ESPAÑA**  
UNOX PROFESIONAL ESPAÑA S.L.  
E-mail: info.es@unox.com  
Tel.: +34 900 82 89 43

**SCANDINAVIAN COUNTRIES**  
UNOX SCANDINAVIA AB  
E-mail: info.se@unox.com  
Tel.: +46 (0)768 716 422

**UNITED KINGDOM**  
UNOX UK Ltd.  
E-mail: info@unoxuk.com  
Tel.: +44 1252 851 522

**PORTUGAL**  
UNOX PORTUGAL  
E-mail: info.pt@unox.com  
Tel.: +351 918 228 787

**DEUTSCHLAND**  
UNOX DEUTSCHLAND GmbH  
E-mail: info.de@unox.com  
Tel.: +49 2951 98760

**FRANCE, BELGIUM & LUXEMBOURG**  
UNOX FRANCE s.a.s.  
E-mail: info@unox.fr  
Tel.: +33 4 78 17 35 39

**ÖSTERREICH**  
UNOX ÖSTERREICH GmbH  
E-mail: bestellung@unox.com  
Tel.: +43 800 880 963

**HRVATSKA**  
UNOX CROATIA  
E-mail: naruozbe@unox.com  
Tel.: +39 049 86 57 538

**TÜRKİYE**  
UNOX TURKEY Profesyonel Müfzak Ekip-  
manları Endüstri ve Ticaret Limited Şirketi  
E-mail: info.tr@unox.com  
Tel.: +90 530 176 62 03

**IRELAND**  
UNOX IRELAND  
E-mail: info.ie@unox.com  
Tel.: +353 (0) 87 32 23 218

**БЪЛГАРИЯ**  
UNOX BULGARIA  
E-mail: info.bg@unox.com  
Tel.: +359 88 23 13 378

**ASIA & AFRICA**

**MALAYSIA & SINGAPORE**  
UNOX (ASIA) SDN. BHD  
E-mail: Info.asia@unox.com  
Tel.: +603-58797700

**OTHER ASIAN COUNTRIES**  
UNOX (ASIA) SDN. BHD  
E-mail: Info.asia@unox.com  
Tel.: +603-58797700

**PHILIPPINES**  
UNOX PHILIPPINES  
E-mail: Info.asia@unox.com  
Tel.: +63 9173108084

**대한민국**  
UNOX KOREA CO. Ltd.  
이메일: info.asia@unox.com  
전화: +82 2 69410351

**U.A.E.**  
UNOX MIDDLE EAST DMCC  
E-mail: Info.uae@unox.com  
Tel.: +971 55 426 3167

**SOUTH AFRICA**  
UNOX SOUTH AFRICA  
E-mail: Info.sa@unox.com  
Tel.: +27 845 05 52 35

**INDONESIA**  
UNOX INDONESIA  
E-mail: Info.asia@unox.com  
Tel.: +62 81908852999

**中华人民共和国**  
UNOX TRADING (SHANGHAI) CO. Ltd.  
电子邮件: info.china@unox.com  
电话: +86 21 56907696

**AMERICA & OCEANIA**

**U.S.A. & CANADA**  
UNOX Inc.  
E-mail: Infousa@unox.com  
Tel.: +1 800 489 8669

**MEXICO**  
UNOX MEXICO, S. DE R.L. DE C.V.  
E-mail: Info.mx@unox.com  
Tel.: +52 1555 4314 180

**BRAZIL**  
UNOX BRAZIL  
E-mail: Info.br@unox.com  
Tel.: +55 11 98717-8201

**COLOMBIA**  
UNOX COLOMBIA  
E-mail: Info.co@unox.com  
Tel.: +57 350 65 88 204

**AUSTRALIA**  
UNOX AUSTRALIA PTY Ltd.  
E-mail: info@unoxaustralia.com.au  
Tel.: +61 3 9876 0803

**NEW ZEALAND**  
UNOX NEW ZEALAND Ltd.  
E-mail: Info@unox.co.nz  
Tel.: +64 (0) 800 76 0803

LD2538A1.D00-LDI-01 - Printed: 09-2019  
All images used are for illustrative purposes only.  
All features indicated in this catalogue may be subject to change and could be updated without notice.

UNOX.COM | FOLLOW US ON

